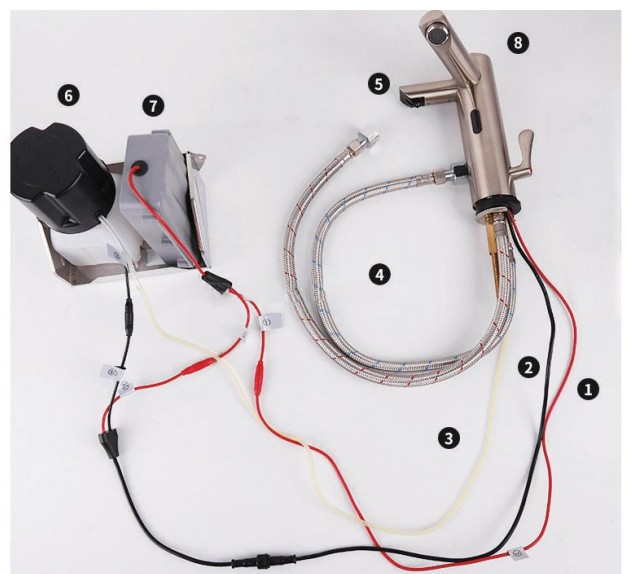
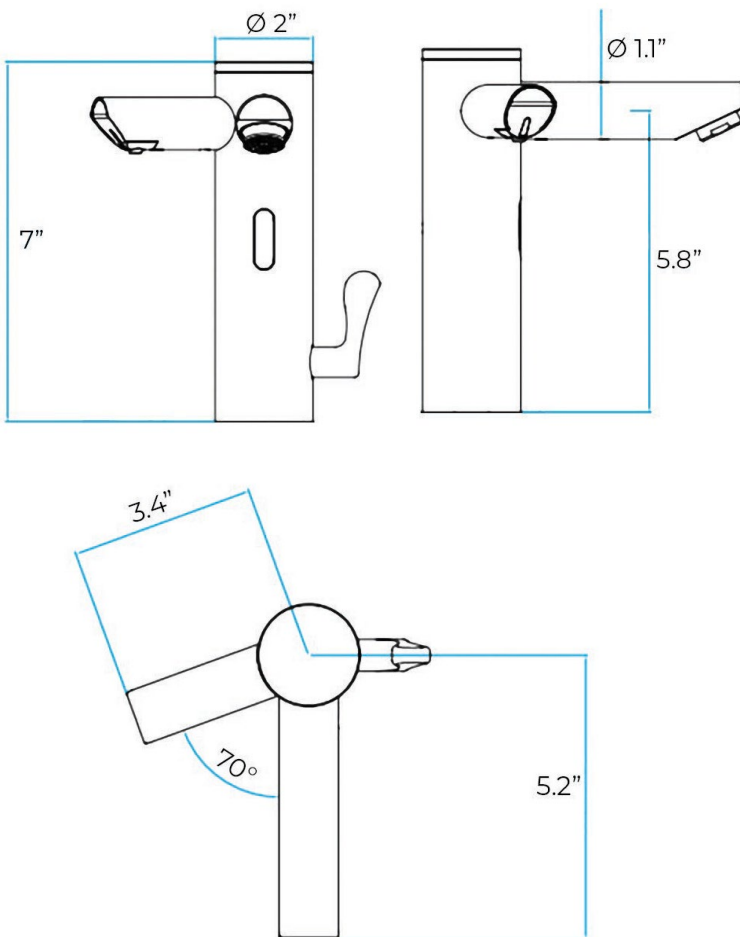


LIMA COMMERCIAL DUAL AUTOMATIC SENSOR FAUCET WITH SENSOR SOAP DISPENSER SPECIFICATIONS



Specification	
Product Type:	Commercial
Main Construction Material:	Brass
Mount Type:	Deck
Handle Type:	Infra-Red
Power Rating:	3 Amp Fuse, AC: 230V DC: 1.5V
Batteries Required:	4 AA Batteries (not supplied)
Number of Tap Holes:	1
Valve/Cartridge Type:	Solenoid Valve
Plumbing System Requirements:	Suitable for all plumbing systems
Sensing Range:	0 - 8cm
Activation Time:	0.5 - 1 secs
Viscosity of Liquid Soap:	100-3500cp (mpA .s)
Isolation Included:	No

Size



- 1. Power line
- 2. Control bus
- 3. Soap delivery Pipe
- 4. Tube
- 5. Faucet soap outlet
- 6. Soap bottle
- 7. Power supply
- 8. Faucet water outlet

All dimensions and specifications are nominal and may vary. Use actual products for accuracy in critical situations.